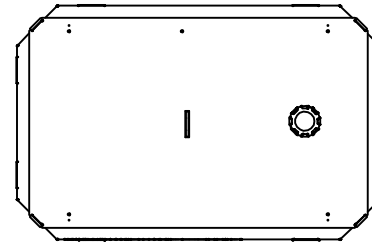
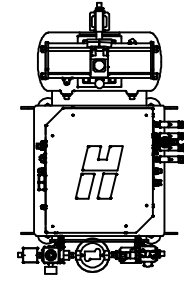
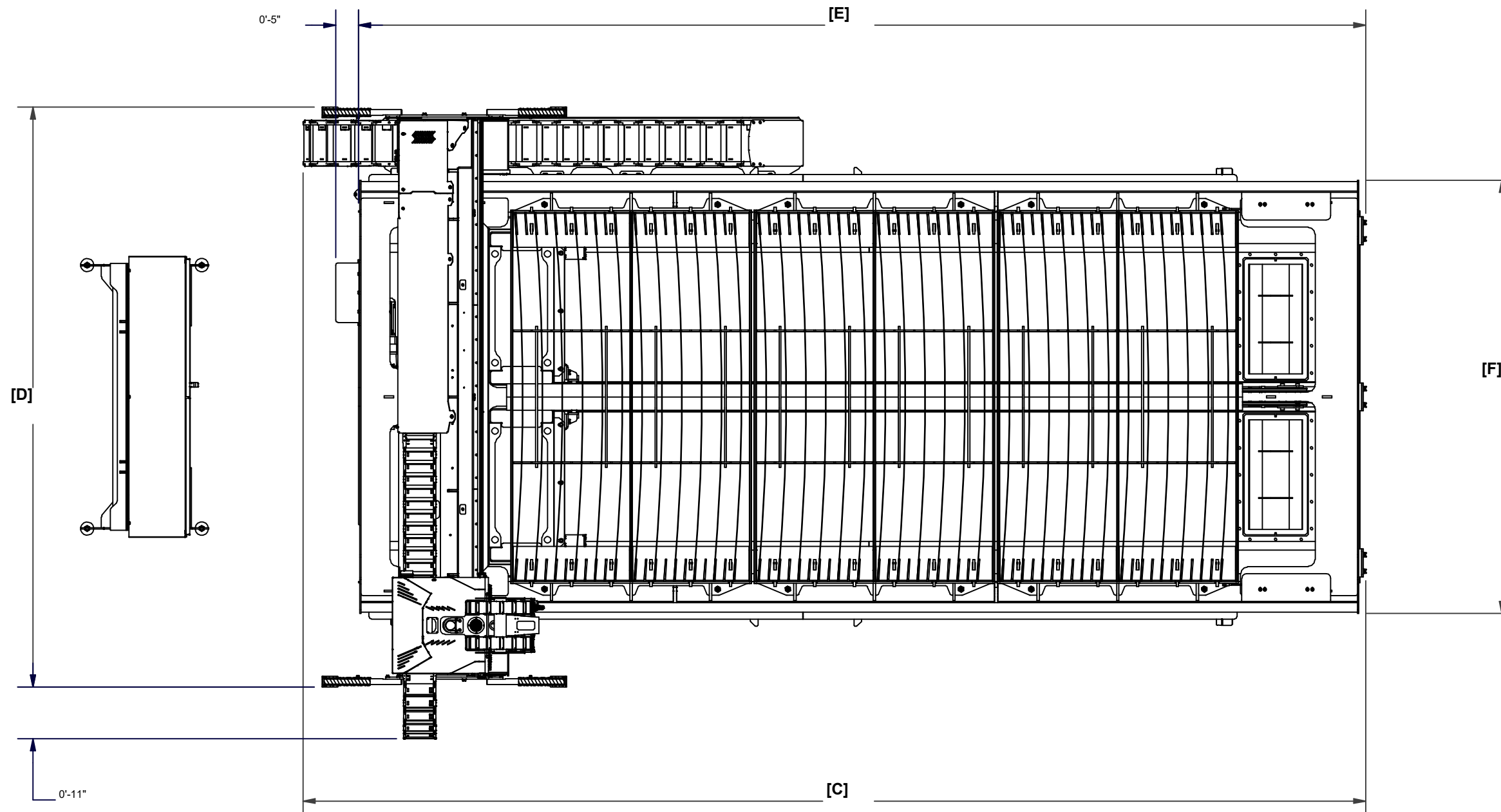
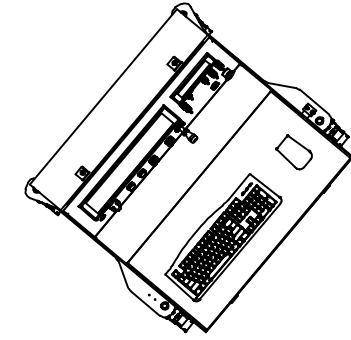


With TrackClean Self-Cleaning Table



VARIABLE MACHINE & TABLE DIMENSIONS

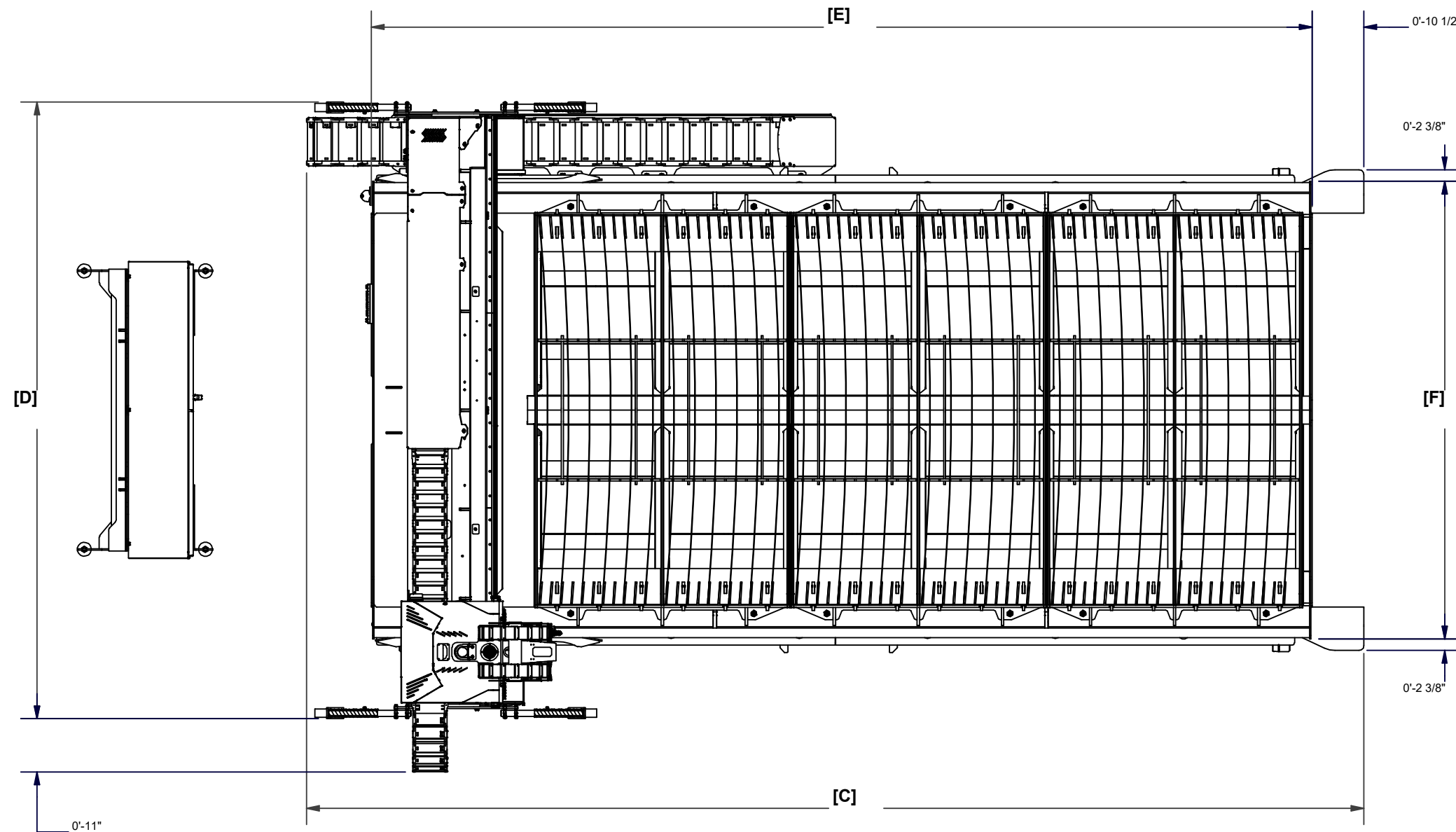
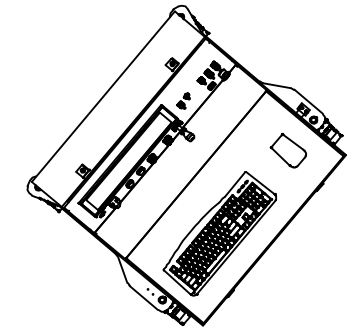
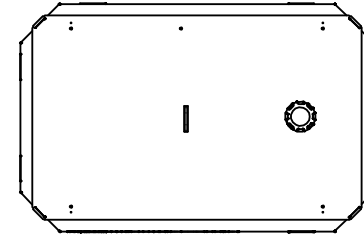
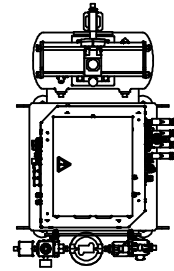
DIMENSION	6' MACHINE-TABLE TOTAL / EFFECTIVE TRAVEL	8' MACHINE-TABLE TOTAL / EFFECTIVE TRAVEL	10' MACHINE-TABLE TOTAL / EFFECTIVE TRAVEL	/	12' MACHINE-TABLE TOTAL / EFFECTIVE TRAVEL	24' MACHINE-TABLE TOTAL / EFFECTIVE TRAVEL
[A]	-	-	-		12'-7" / 144.000"	24'-7" / 288.000"
[B]	7'-10-1/8" / 72.000"	9'-10-1/8" / 96.000"	11'-10-1/8" / 120.000"		-	-
[C]	-	-	-		18'-10"	30'-10"
[D]	10'-5"	12'-5"	14'-5"		-	-
[E]	-	-	-		17'-11"	29'-11"
[F]	7'-9"	9'-9"	11'-9"		-	-



With Zoned Down Air Draft Table

VARIABLE MACHINE & TABLE DIMENSIONS

DIMENSION	6' MACHINE-TABLE TOTAL / EFFECTIVE TRAVEL	8' MACHINE-TABLE TOTAL / EFFECTIVE TRAVEL	10' MACHINE-TABLE TOTAL / EFFECTIVE TRAVEL	12' MACHINE-TABLE TOTAL / EFFECTIVE TRAVEL	24' MACHINE-TABLE TOTAL / EFFECTIVE TRAVEL
[A]	-	-	-	12'-7" / 144.000"	24'-7" / 288.000"
[B]	7'-10-1/8" / 72.000"	9'-10-1/8" / 96.000"	11'-10-1/8" / 120.000"	-	-
[C]	-	-	-	17'-10"	29'-10"
[D]	10'-5"	12'-5"	14'-5"	-	-
[E]	-	-	-	15'-10"	27'-10"
[F]	7'-9"	9'-9"	11'-9"	-	-



With Water Table

VARIABLE MACHINE & TABLE DIMENSIONS

DIMENSION	6' MACHINE-TABLE TOTAL / EFFECTIVE TRAVEL	8' MACHINE-TABLE TOTAL / EFFECTIVE TRAVEL	10' MACHINE-TABLE TOTAL / EFFECTIVE TRAVEL	/	12' MACHINE-TABLE TOTAL / EFFECTIVE TRAVEL	24' MACHINE-TABLE TOTAL / EFFECTIVE TRAVEL
[A]	-	-	-		12'-7" / 144.000"	24'-7" / 288.000"
[B]	7'-10-1/8" / 72.000"	9'-10-1/8" / 96.000"	11'-10-1/8" / 120.000"		-	-
[C]	-	-	-		16'-11"	28'-11"
[D]	10'-5"	12'-5"	14'-5"		-	-
[E]	-	-	-		15'-10"	27'-10"
[F]	7'-9"	9'-9"	11'-9"		-	-

