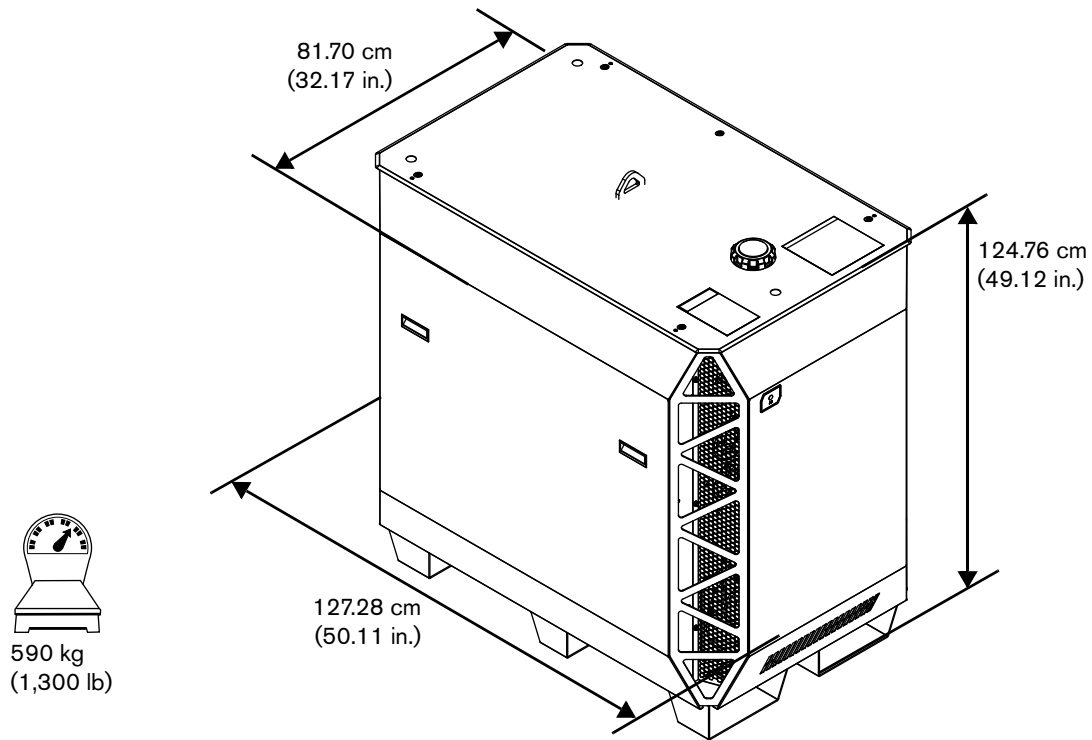


## Plasma power supply (part number varies)



The part number and specifications can differ for your plasma power supply. (See *Table 1* on page 31 and *Table 2* on page 32 for part numbers and specifications.)

**Table 1** – Plasma power supply general specifications

Maximum open-circuit voltage ( $U_0$ )	360 VDC
Maximum output current ( $I_2$ )	300 A
Output voltage ( $U_2$ )	50 VDC – 210 VDC
Duty cycle rating ( $X$ )	100% at 63 kW, 40°C (104°F)
Operational ambient temperature range	-10°C – 40°C (14°F – 104°F)
Power factor ( $\cos\theta$ )	0.98 at 63 kW
Cooling	Forced air (Class F)
Insulation	Class H
EMC emissions classification (CE models only)	Class A
Lift points	Top lift eye Bottom lift truck slots
Lift eye weight rating	680 kg (1,500 lb)

**Table 2** – Plasma power supply part numbers and specifications

Part number	Voltage (VAC) ( $U_1$ )	Phase	Frequency (Hz)	Rated input current at 63 kW output (A) ( $I_1$ )	Regulatory approval Safety/EMC	Power (kVA) ( $\pm 10\%$ ) ( $U_1 \times I_1 \times 1.73$ )
078620	200	3	50 – 60	206	cCSAus	71.43
078621	208		60	198	cCSAus	
078622	220		50 – 60	188	cCSAus	
078623	240		60	172	cCSAus	
078624	380		50 – 60	109	CCC	
078625	400		50 – 60	103	CE, RCM, EAC, UKr, and AAA	
078626	415		50	99	CE, RCM, EAC, UKr, and AAA	
078627	440		60	94	cCSAus	
078628	480		60	86	cCSAus	
078629	600		60	69	cCSAus	