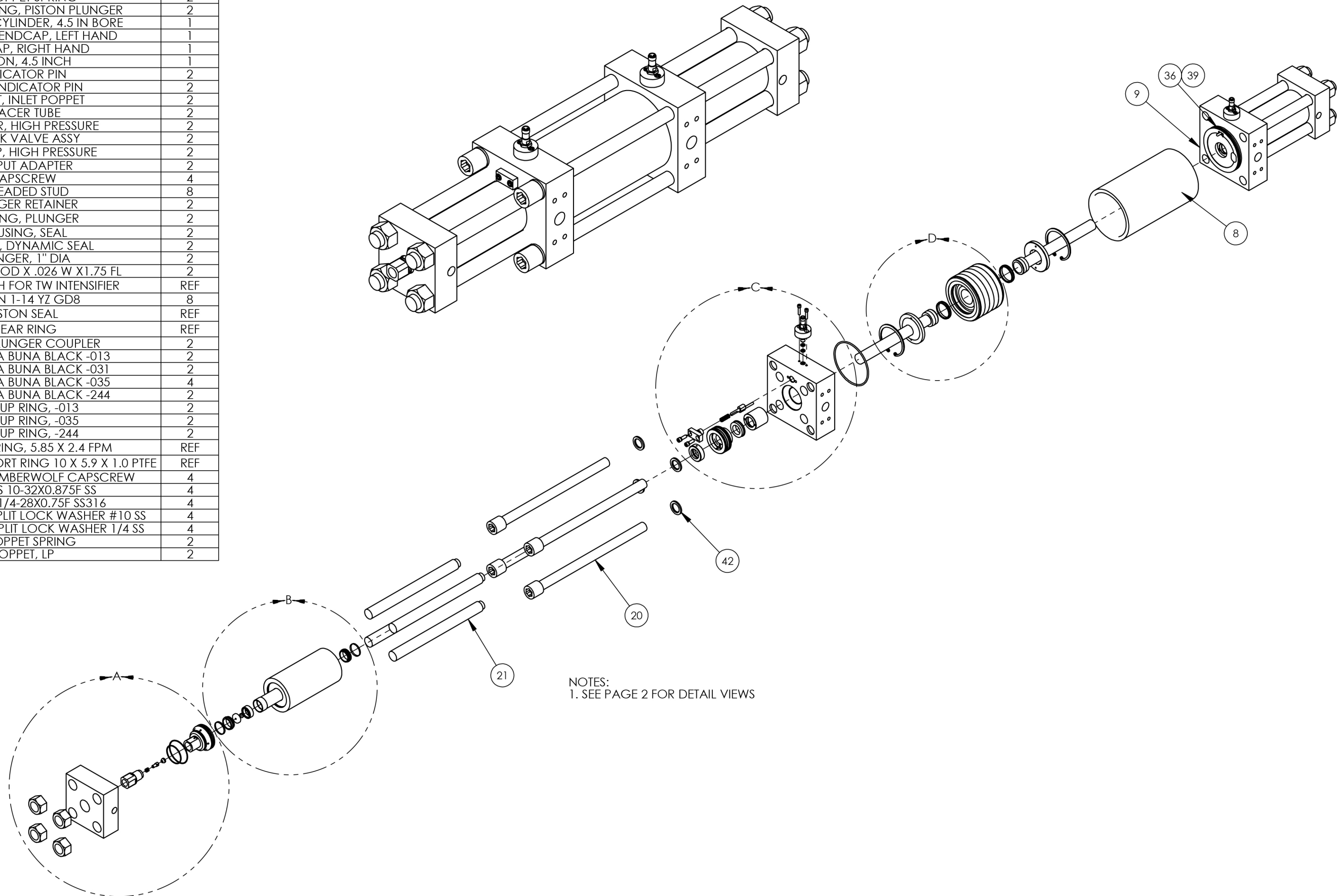
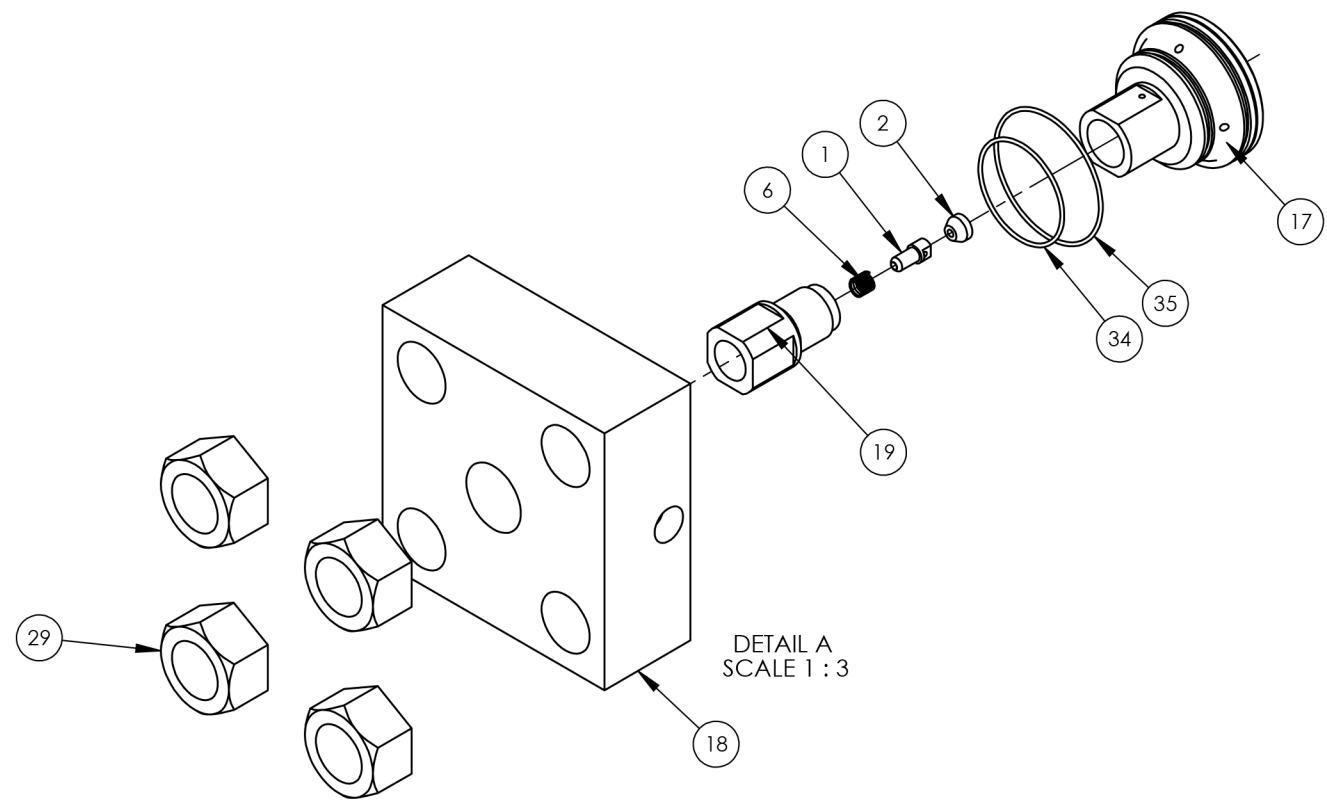


ITEM NO.	DESCRIPTION	QTY.
1	HIGH PRESSURE POPPET	2
2	SEAT, HIGH PRESSURE	2
3	Hoop 1"	4
4	HP SEAL 1"	4
5	ROD SEAL, 1"	2
6	HP POPPET SPRING	2
7	RETAINING RING, PISTON PLUNGER	2
8	HYDRAULIC CYLINDER, 4.5 IN BORE	1
9	HYDRAULIC ENDCAP, LEFT HAND	1
10	END CAP, RIGHT HAND	1
11	PISTON, 4.5 INCH	1
12	INDICATOR PIN	2
13	CAP, INDICATOR PIN	2
14	BASKET, INLET POPPET	2
15	SPACER TUBE	2
16	CYLINDER, HIGH PRESSURE	2
17	CHECK VALVE ASSY	2
18	END CAP, HIGH PRESSURE	2
19	OUTPUT ADAPTER	2
20	CAPSCREW	4
21	THREADED STUD	8
22	PLUNGER RETAINER	2
23	BEARING, PLUNGER	2
24	HOUSING, SEAL	2
25	BACKUP, DYNAMIC SEAL	2
26	PLUNGER, 1" DIA	2
27	SPRING, .360 OD X .026 W X 1.75 FL	2
28	PROX SWITCH FOR TW INTENSIFIER	REF
29	FST; HN 1-14 YZ GD8	8
30	PISTON SEAL	REF
31	WEAR RING	REF
32	T-SEAL, PLUNGER COUPLER	2
33	ORING; 70A BUNA BLACK -013	2
34	ORING; 70A BUNA BLACK -031	2
35	ORING; 70A BUNA BLACK -035	4
36	ORING; 70A BUNA BLACK -244	2
37	BACKUP RING, -013	2
33	BACKUP RING, -035	2
39	BACKUP RING, -244	2
40	METRIC O-RING, 5.85 X 2.4 FPM	REF
41	TEFLON SPLIT SUPPORT RING 10 X 5.9 X 1.0 PTFE	REF
42	WASHER FOR TIMBERWOLF CAPSCREW	4
43	FST; SHCS 10-32X0.875F SS	4
44	FST; SHCS 1/4-28X0.75F SS316	4
45	FST; HI-COLLAR SPLIT LOCK WASHER #10 SS	4
46	FST; HI-COLLAR SPLIT LOCK WASHER 1/4 SS	4
47	LP POPPET SPRING	2
48	POPPET, LP	2

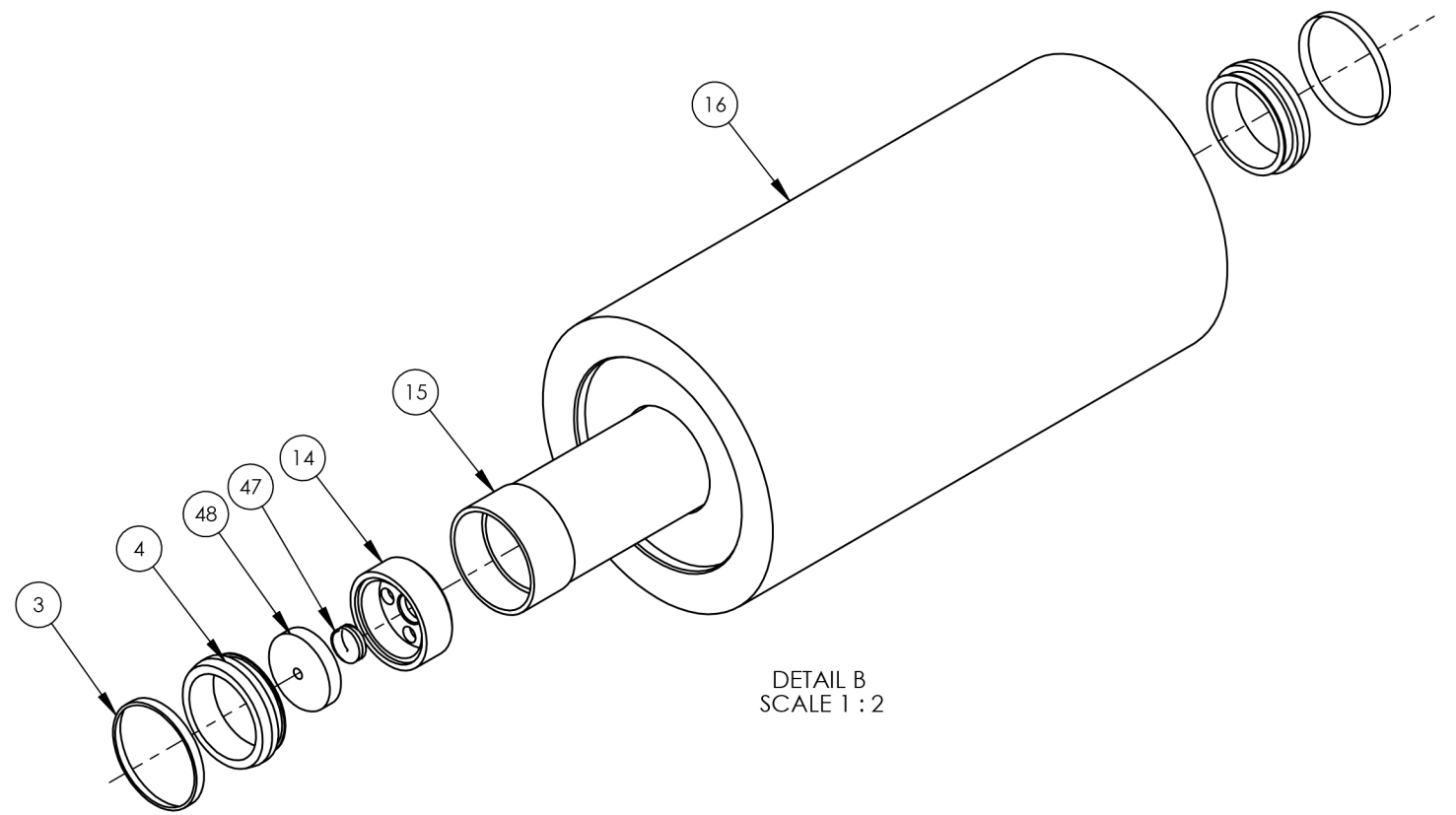
REVISIONS					
REV	ECO	DATE	DRAWN	DATE	APPROVED
C	23502	10/6/14	MWW	11-3-14	SEV



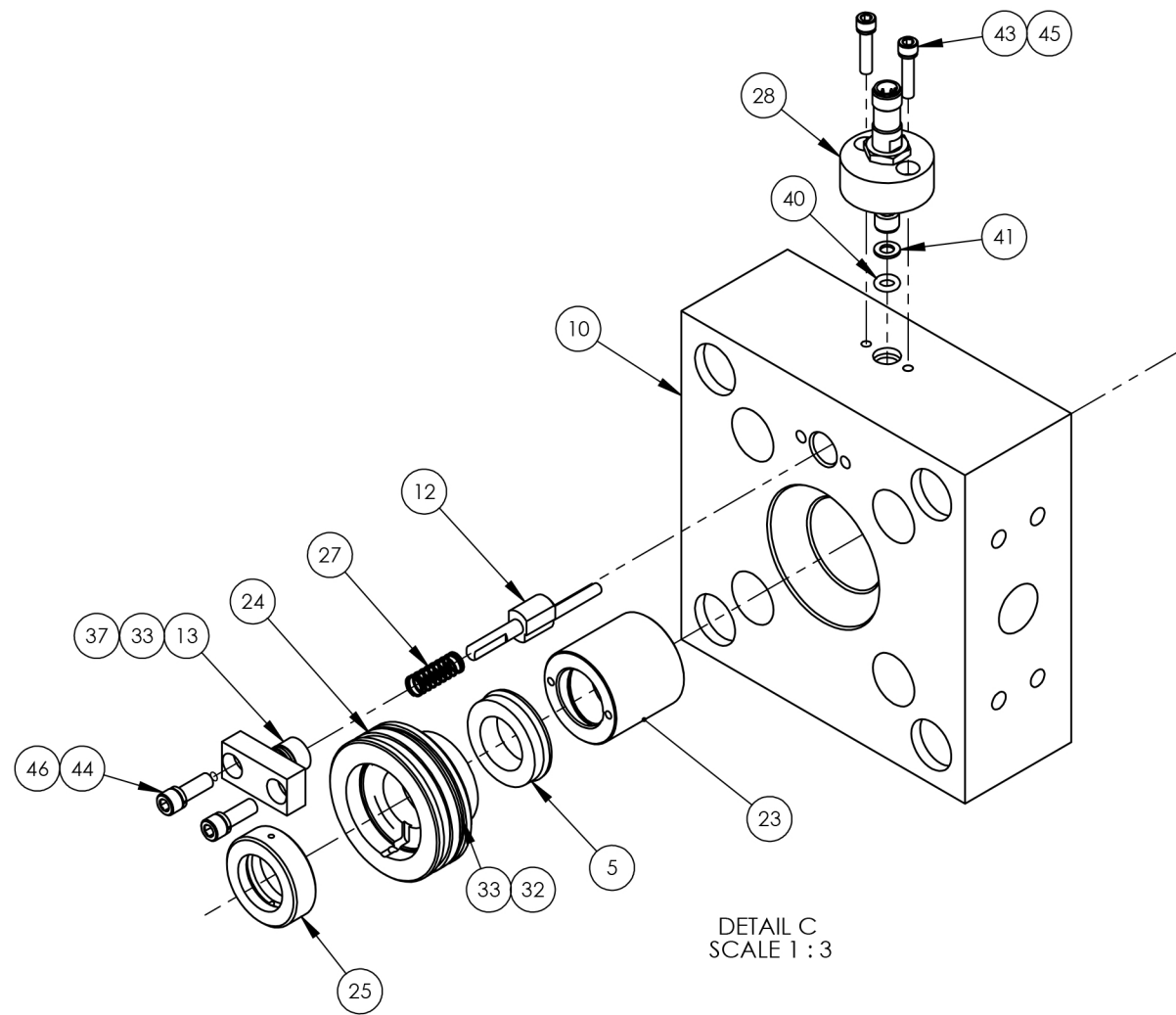
NOTES:  
1. SEE PAGE 2 FOR DETAIL VIEWS



DETAIL A  
SCALE 1 : 3

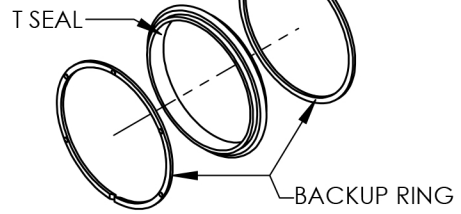


DETAIL B  
SCALE 1 : 2

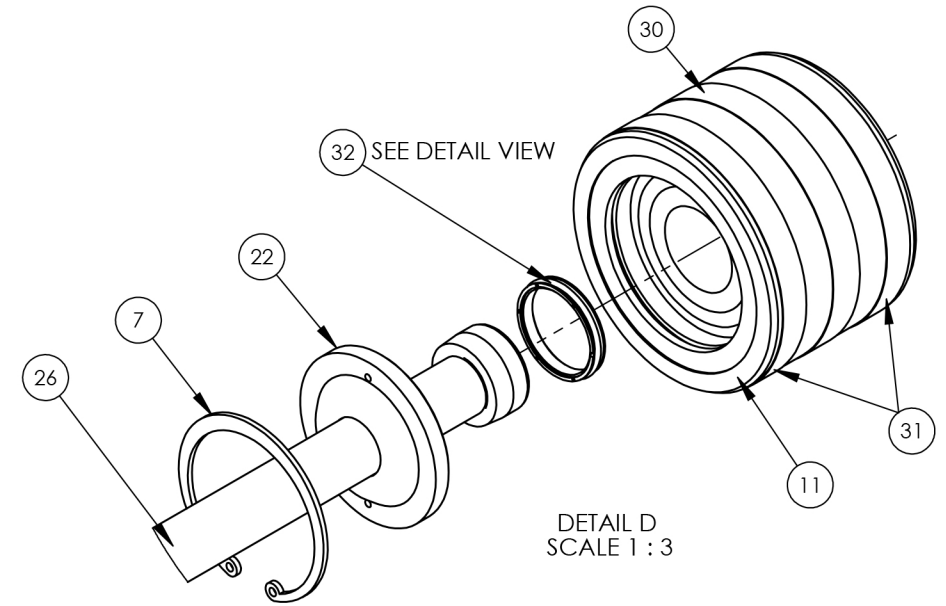


DETAIL C  
SCALE 1 : 3

NOTE:  
SMOOTH SIDE OF BACKUP RING  
FACES SEAL



ITEM 38  
DETAIL  
SCALE 1 : 2



DETAIL D  
SCALE 1 : 3