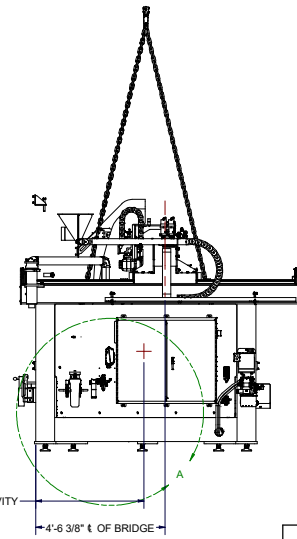
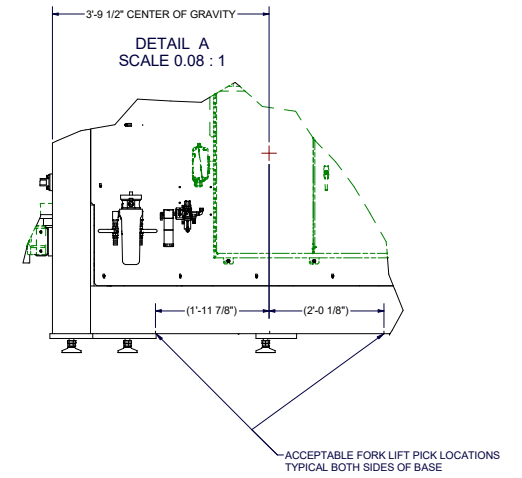
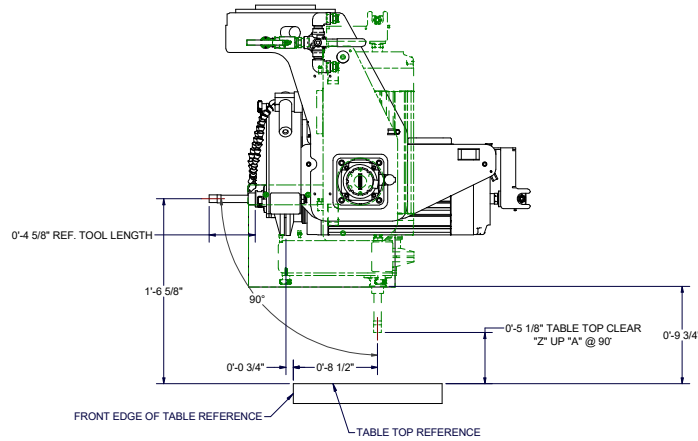
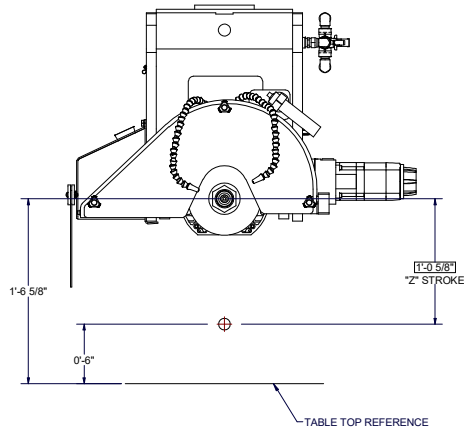
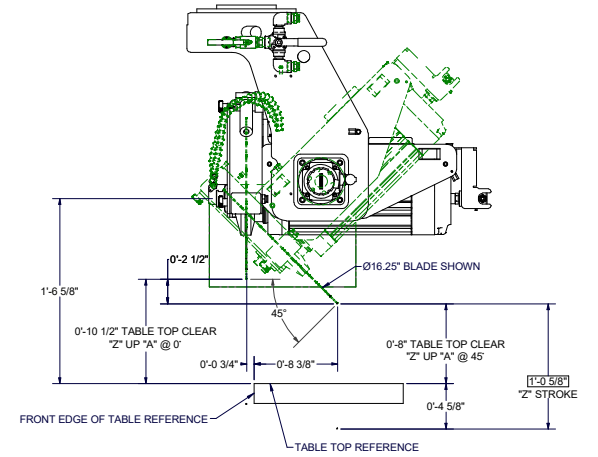
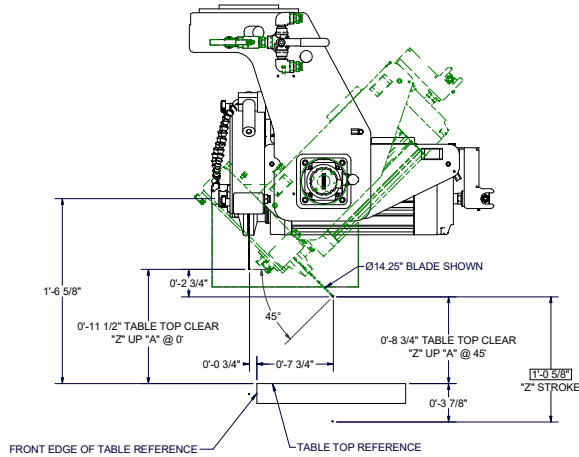
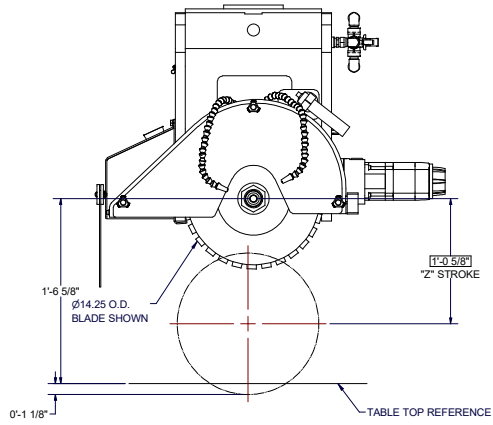


NOTES:

1. PER SALES CONTRACT, CUSTOMER ASSUMES FULL RESPONSIBILITY AND LIABILITY FOR HANDLING, UNLOADING AND POSITIONING OF EQUIPMENT
2. MACHINE WEIGHT: 13,000 LBS
3. ALL LIFT EYE HOLES ARE 1-1/2" DIAMETER



| | | | | | |
|--|---------------|--|-------------|-----------------------------------|-------|
| SEE SHEET 1 FOR REVISION DESCRIPTION | | DATE | DESCRIPTION | BY | SCALE |
| REVISIONS | | | | | |
| NOTICE: THIS DRAWING AND ALL INFORMATION THEREON IS THE PROPERTY OF PARK INDUSTRIES, INC. AND IS CONFIDENTIAL AND MUST NOT BE MADE PUBLIC OR COPIED. IT IS SUBJECT TO RETURN ON DEMAND. | | | | | |
| SIZE | DWG TITLE: | INSTALLATION DRAWINGS SABER CNC SAW | | | |
| D | DRAWN: MBRUNO | DATE: 11/1/15 | SCALE: | MASS PROPERTIES: 13000.001 lbmass | |
| TOLERANCE ON ALL DIMENSIONS UNLESS SPECIFIED ARE AS FOLLOWS ALL DIMENSIONS ARE IN INCHES UNLESS NOTED | | DWG NO.: Y-5370 | | | |
| FRACTIONAL: ± 1/16 DECIMAL: ± 0.005 ANGULAR: ± 30' | | REV. B | | SHEET: 2 OF 4 | |
| DO NOT SCALE DRAWING | | | | | |



Park Industries P.O. BOX 188
ST. CLOUD, MN 56302
Precision. Performance. Peace of Mind. USA

INSTALLATION DRAWINGS
SABER CNC SAW

| | | | |
|------|-------------|-----|-------|
| DATE | DESCRIPTION | REV | SCALE |
| | | | |

DRAWN: MBRUNO DATE: 11/1/15 SCALE: 1=25

MASS PROPERTIES: N/A

DWG NO.: Y-5370 REV. B

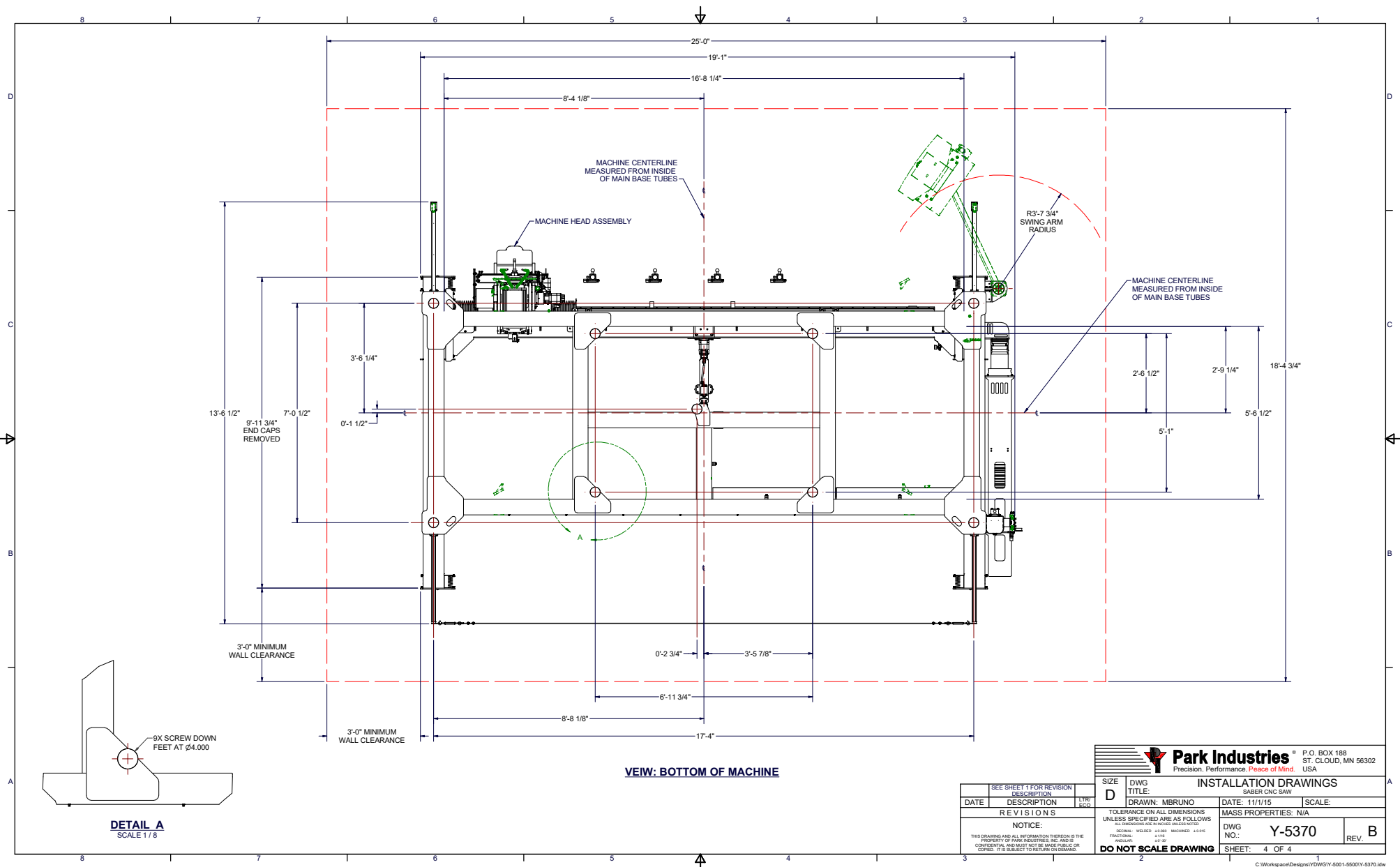
SHEET: 3 OF 4

DO NOT SCALE DRAWING

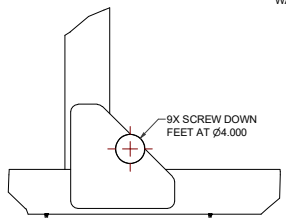
| | |
|---|--|
| SEE SHEET 1 FOR REVISION DESCRIPTION | |
| REVISIONS | |
| NOTICE: | |
| THIS DRAWING AND ALL INFORMATION THEREON IS THE PROPERTY OF PARK INDUSTRIES, INC. AND IS CONFIDENTIAL AND MUST NOT BE MADE PUBLIC OR COPIED. IT IS SUBJECT TO RETURN ON DEMAND. | |

TOLERANCE ON ALL DIMENSIONS UNLESS SPECIFIED ARE AS FOLLOWS
ALL DIMENSIONS ARE IN INCHES UNLESS NOTED

FRACTIONAL: 1/16
DECIMAL: .0156
ANGULAR: ±0.01°



VIEW: BOTTOM OF MACHINE



DETAIL A
SCALE 1/8

| DATE | DESCRIPTION | BY | SCALE |
|--|-------------|----|-------|
| REVISIONS | | | |
| NOTICE: | | | |
| <small>THIS DRAWING AND ALL INFORMATION THEREON IS THE PROPERTY OF PARK INDUSTRIES, INC. AND IS CONFIDENTIAL AND MUST NOT BE MADE PUBLIC OR COPIED. IT IS SUBJECT TO RETURN ON DEMAND.</small> | | | |

| | | | | |
|---|------------|---|---------------|---------------|
| Park Industries <small>Precision. Performance. Peace of Mind. USA</small> | | P.O. BOX 188 ST. CLOUD, MN 56302 USA | | |
| | | INSTALLATION DRAWINGS SABER CNC SAW | | |
| SIZE D | DWG TITLE: | DRAWN: MBRUNO | DATE: 11/1/15 | SCALE: |
| <small>TOLERANCE ON ALL DIMENSIONS UNLESS SPECIFIED ARE AS FOLLOWS</small> | | <small>MASS PROPERTIES: N/A</small> | | |
| <small>UNLESS SPECIFIED ARE AS FOLLOWS</small> | | DWG NO.: Y-5370 | | REV: B |
| <small>ALL DIMENSIONS ARE IN INCHES UNLESS NOTED</small> | | SHEET: 4 OF 4 | | |
| <small>SECTION: WELDED 2-DIGIT MACHINED 2-DIGIT</small> | | <small>DO NOT SCALE DRAWING</small> | | |
| <small>FRACTIONAL: 1/16 1/8 1/4 3/8 1/2 3/4 1 1 1/2 2 3 4</small> | | <small>DECIMAL: .0005 .001 .002 .005 .01 .02 .05 .1 .2 .5 1 2 3 4</small> | | |